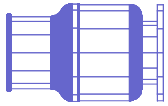


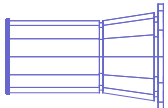
TURBOPUMP ASSEMBLY

This item is one of a pair. The difference is that the second is rotated 180 degrees in the top view and has the Exhaust Stack instead of the Super Heater Assembly shown. Each one of the Turbopump Assemblies corresponds to each of the YLR-87 engine pair.

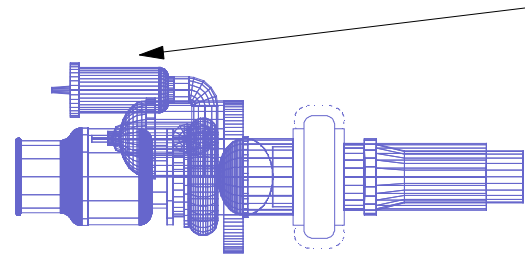
SUPER HEATER ASSY.



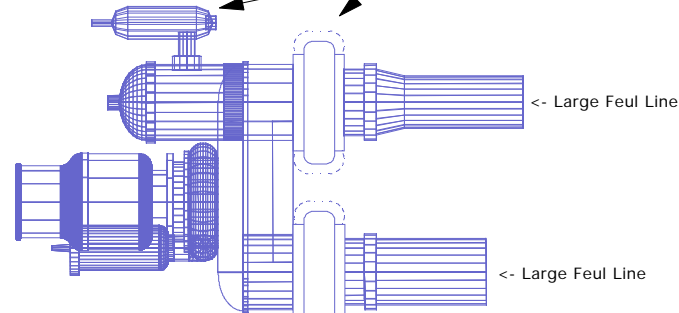
EXHAUST STACK



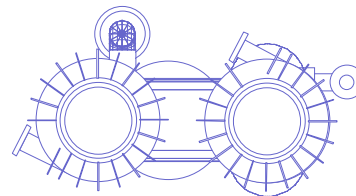
Each one of the pair of Turbopump Assemblies has either the Super Heater Assembly or the Exhaust Stack attached to the same location depending on which of the two Turbopump Assemblies it is.



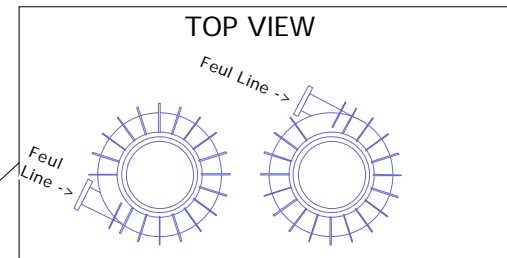
RIGHT VIEW



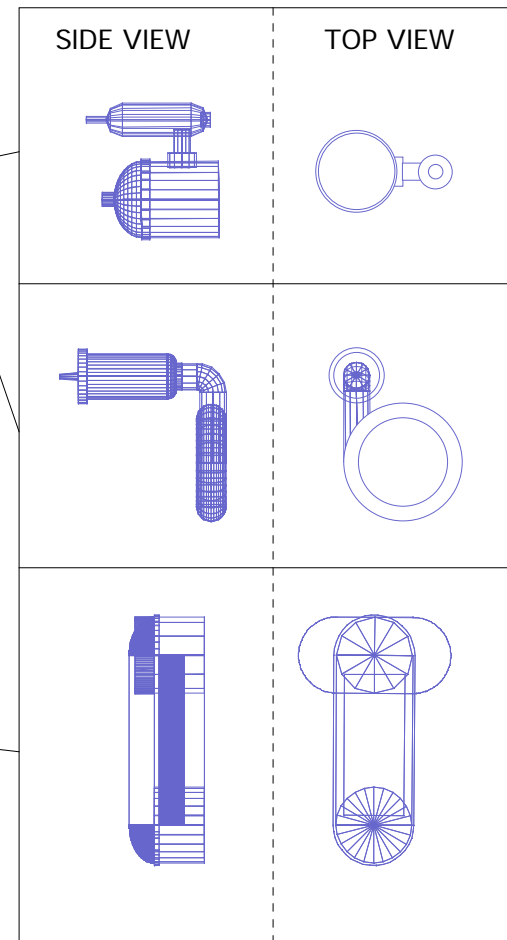
FRONT VIEW



TOP VIEW



TOP VIEW



Radial Fin:
20 fins located radially about the hub (with 1 deleted and 2 repositioned to accomodate the feul line junction).

drawn by Robert W. Blaske, 1996
Robert_Blaske@petcosouth.com
redhead1@mindspring.com
www.petcosouth.com/rblaske